

**Alpha Bridge**  
**AB-CVR-QSFP-SFP10G**  
**Datasheet**

## Features

- Trouble-free installation and network bring-up
- Compliant to industry standards: QSFP+ MSA SFF-8436 / SFP+ MSA SFF-8431
- Precision process control for minimization of pair-to-pair skew
- 1 independent duplex channels operating at 10Gbps, also support for 2.5Gbps, 5Gbps data rates
- All-metal housing for superior EMI performance
- 100-ohm differential impedance system
- Operating case temperature: -20 to 85°C
- Low insertion loss
- Low crosstalk
- Secure latching mechanism
- RoHS compliant

## Applications

- Data Servers, Routers, Switches
- Networked storage systems
- Data Center networking
- InfiniBand Trade Association (IBTA)
- IEEE-802.3ba
- MSA SFF-8431

## Product Description

The QSFP+ to SFP+ Adapter (CVR) Module offers 10 Gigabit Ethernet connectivity for Quad Small Form-Factor Pluggable (QSFP) - only platforms. It allows smooth and cost-effective migration to 40 Gigabit Ethernet by providing an option to use lower-speed Enhanced Small Form-Factor Pluggable (SFP+) modules in empty QSFP ports or when the other end of the network is running at lower speeds. The CVR Module converts a QSFP port into an SFP+ port. With this adapter, customers have the flexibility to use any SFP+ module or cable to connect to a lower-speed port on the other end of the network. This flexibility allows a cost-effective transition to 40 Gigabit Ethernet by maximizing the use of high-density 40 Gigabit Ethernet QSFP platforms. This adapter supports all SFP+ optics and cable reaches. Compatible Switch Models and SFP+ Modules. A list of SFP+ transceiver modules that can be plugged into the CVR module is provided in Table 1.

Item	Product Name	Product Description
1	SFP-10G-SR	10GBASE-SR SFP+ Module for Multimode Fiber
2	SFP-10G-LR	10GBASE-LR SFP+ Module for Single-Mode Fiber
3	SFP-10G-ER	10GBASE-ER SFP+ Module for Single-Mode Fiber
4	SFP-10G-ZR	DWDM SFP+ Modules for Single-Mode Fiber
5	10G SFP+ Copper Cables	SFP+ Copper Cables (1-m to 10-m lengths)
6	10G SFP+ Active Optical Cables	SFP+ Active Optical Cables (1-m to 10-m lengths)

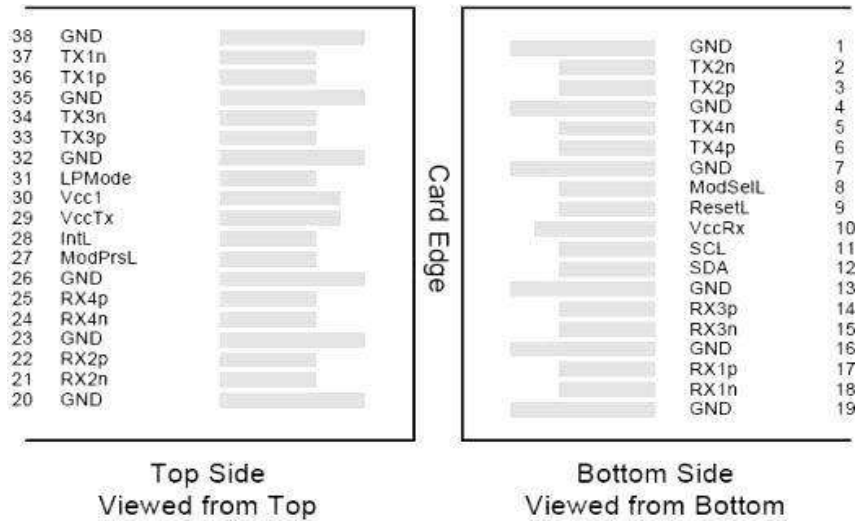
**Table 1. SFP or SFP+ Transceiver Modules**

## Recommended Operating Conditions

Parameter	Symbol	Min	Max	Unit
Operating Case Temperature	Topc	-20	85	degC
Storage Temperature	Tst	-40	125	degC
Relative Humidity (non-condensation)	RS	-	85	%
Supply Voltage	VCC3	3.15	3.45	V

## QSFP+ Host board Connector Pinout

### MSA compliant Connector



### Pin Definitions

Pin	Logic	Symbol	Name/Description	Note
1		GND	Ground	1
2	CML-I	Tx2n	Transmitter Inverted Data Input	
3	CML-I	Tx2p	Transmitter Non-Inverted Data output	
4		GND	Ground	1
5	CML-I	Tx4n	Transmitter Inverted Data Input	
6	CML-I	Tx4p	Transmitter Non-Inverted Data output	
7		GND	Ground	1
8	LVTTLL-I	ModSell	Module Select	
9	LVTTLL-I	ResetL	Module Reset	
10		VccRx	+3.3V Power Supply Receiver	2
11	LVC MOS-I/O	SCL	2-Wire Serial Interface Clock	
12	LVC MOS-I/O	SDA	2-Wire Serial Interface Data	
13		GND	Ground	
14	CML-O	Rx3p	Receiver Non-Inverted Data Output	
15	CML-O	Rx3n	Receiver Inverted Data Output	
16		GND	Ground	1
17	CML-O	Rx1p	Receiver Non-Inverted Data Output	
18	CML-O	Rx1n	Receiver Inverted Data Output	
19		GND	Ground	1
20		GND	Ground	1
21	CML-O	Rx2n	Receiver Inverted Data Output	
22	CML-O	Rx2p	Receiver Non-Inverted Data Output	
23		GND	Ground	1
24	CML-O	Rx4n	Receiver Inverted Data Output	1
25	CML-O	Rx4p	Receiver Non-Inverted Data Output	
26		GND	Ground	1
27	LVTTTL-O	ModPrsL	Module Present	
28	LVTTTL-O	IntL	Interrupt	
29		VccTx	+3.3 V Power Supply transmitter	2
30		Vcc1	+3.3 V Power Supply	2

31	LVTTTL-I	LPMODE	Low Power Mode	
32		GND	Ground	1
33	CML-I	Tx3p	Transmitter Non-Inverted Data Input	
34	CML-I	Tx3n	Transmitter Inverted Data Output	
35		GND	Ground	1
36	CML-I	Tx1p	Transmitter Non-Inverted Data Input	
37	CML-I	Tx1n	Transmitter Inverted Data Output	
38		GND	Ground	1

Note: 1. GND is the symbol for signal and supply (power) common for QSFP modules. All are common within the QSFP module and all module voltages are referenced to this potential otherwise noted. Connect these directly to the host board signal common ground plane

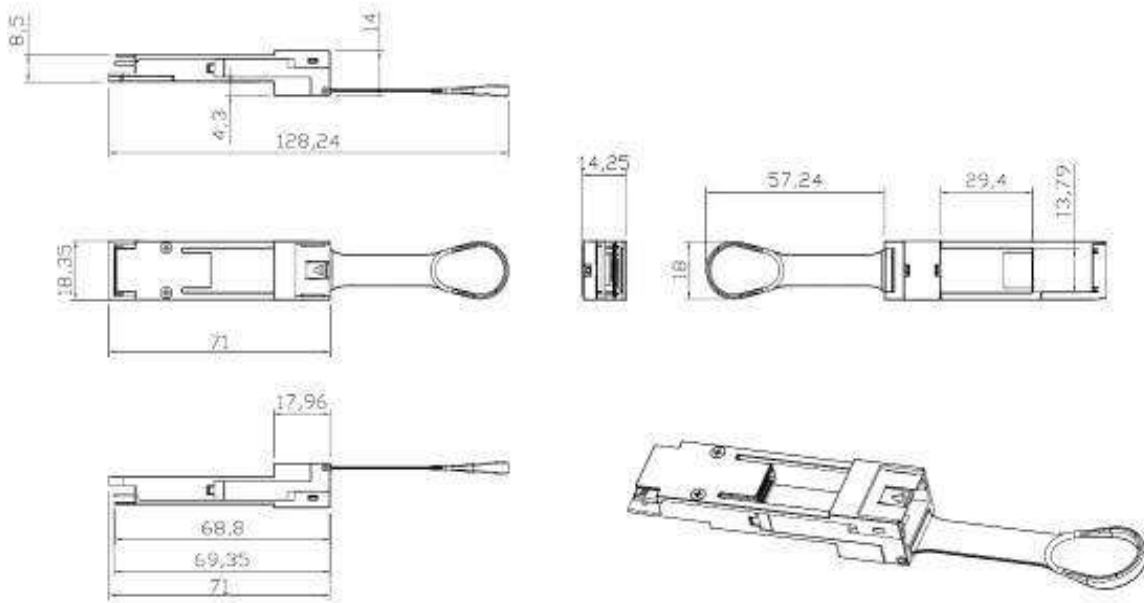
2. VccRx, Vcc1 and VccTx are the receiver and transmitter power suppliers and shall be applied concurrently. Recommended host board power supply filtering is shown below. VccRx, Vcc1 and VccTx may be internally connected within the QSFP transceiver module in any combination. The connector pins are each rated for a maximum current of 500mA.

### SFP+ Host board Connector Pin-out for SFP+

#### Pin Definitions

Pin	Logic	Symbol	Name/Description	Note
1		VeeT	Module Transmitter Ground	1
2	LVTTTL-O	Tx_Fault	Transmitter Fault	2
3	LVTTTL-I	Tx_Disable	Transmitter Disable	3
4	LVTTTL-I/O	SDA	MOD-DEF2 2-wire serial interface data line	4
5	LVTTTL-I/O	SCL	MOD-DEF1 2-wire serial interface clock line	4
6		Mod_Abs	Module Absent	5
7	LVTTTL-I	RS0	Rate Select Zero	
8	LVTTTL-O	Rx_LOS	Module Receiver Loss of Signal	2
9	LVTTTL-I	RS1	Rate Select One	
10		VeeR	Module Receiver Ground	1
11		VeeR	Module Receiver Ground	1
12	CML-O	RD-	Receiver Inverted Data Output	
13	CML-O	RD+	Receiver Non-Inverted Data Output	
14		VeeR	Module Receiver Ground	1
15		VccR	Module Receiver 3.3V Supply	
16		VccT	Module Transmitter 3.3V Supply	
17		VeeT	Module Transmitter Ground	1
18	CML-I	TD+	Transmitter Non-Inverted Data Input	
19	CML-I	TD-	Transmitter Inverted Data Input	
20		VeeT	Module Transmitter Ground	1

**Mechanical Dimensions**



**Physical Specifications**

Maximum outer dimensions (H x W x D)	Weight
13.5 x 18.4 x 78 mm	Typically, less than 100 g

**Ordering Information**

Part Number	Description
AB-CVR-QSFP-SFP10G	QSFP+ to SFP+ Adapter (CVR) Module

**Note:** All information contained in this document is subject to change without notice.